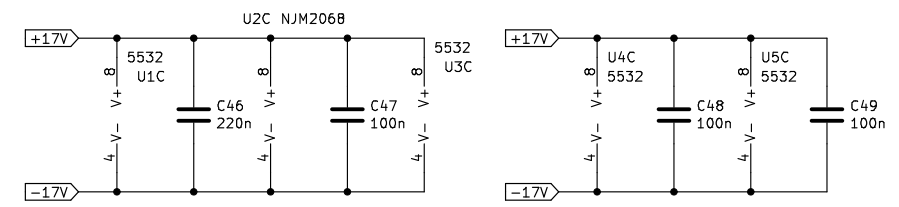
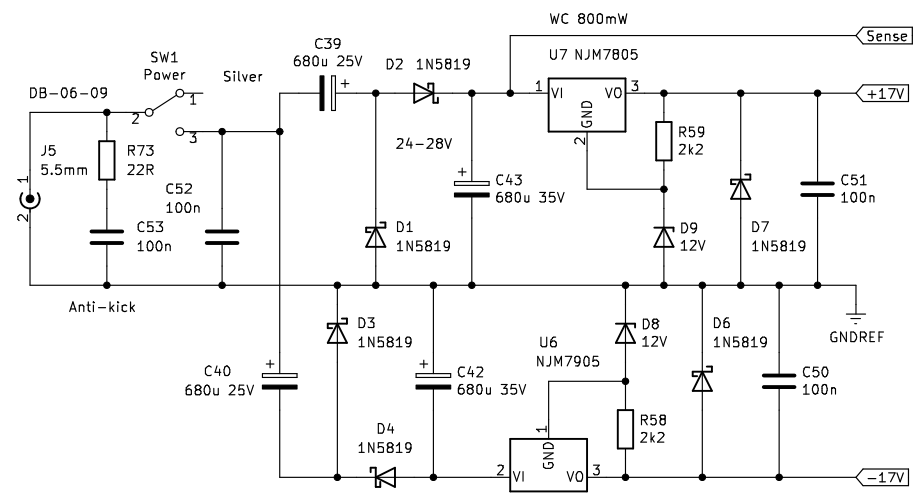
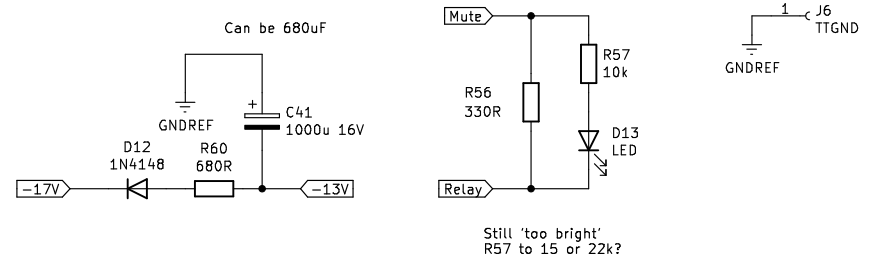
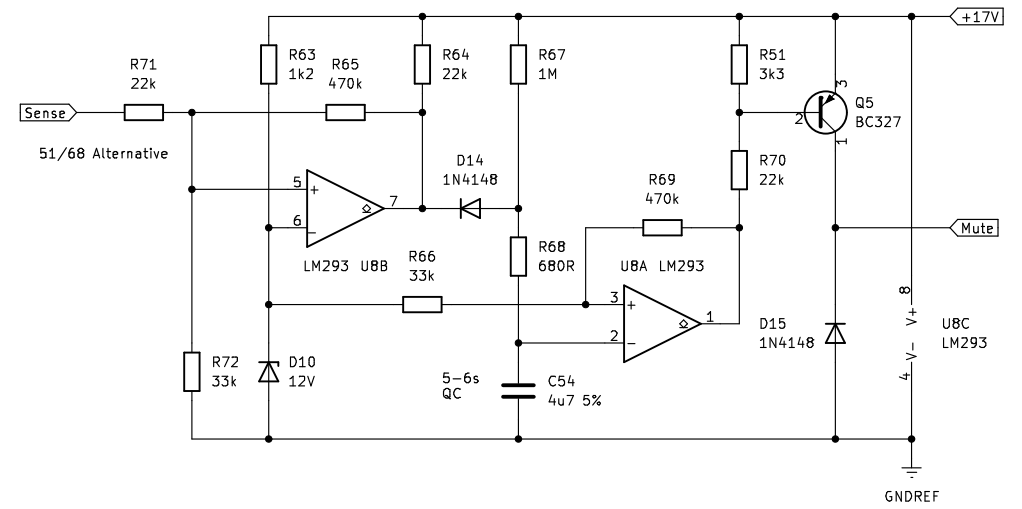
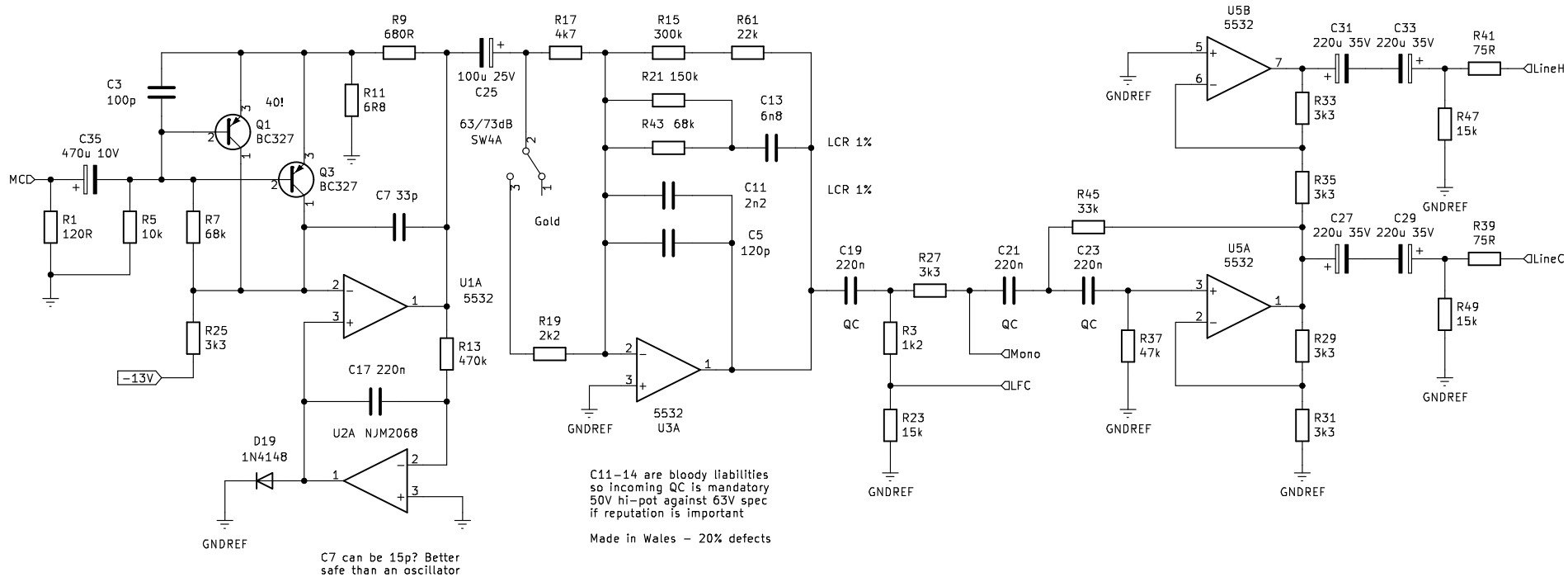


RIAA Values
 300+22k
 150/68k 6n8
 2n2 120p



Discrete-input moving coil phono stage	
Michael Fidler	
Classic Audio Ltd.	
Sheet: /	
File: Main.kicad_sch	
Title: MC PRO	
Size: A4	Date: 2024-04-20
KiCad E.D.A. kicad 6.0.7	Rev: 1.3
	Id: 1/3



Discrete-input moving coil phonostage
Michael Fidler

Classic Audio Ltd.

Sheet: /Left Signal Path/

File: mcpathl.kicad_sch

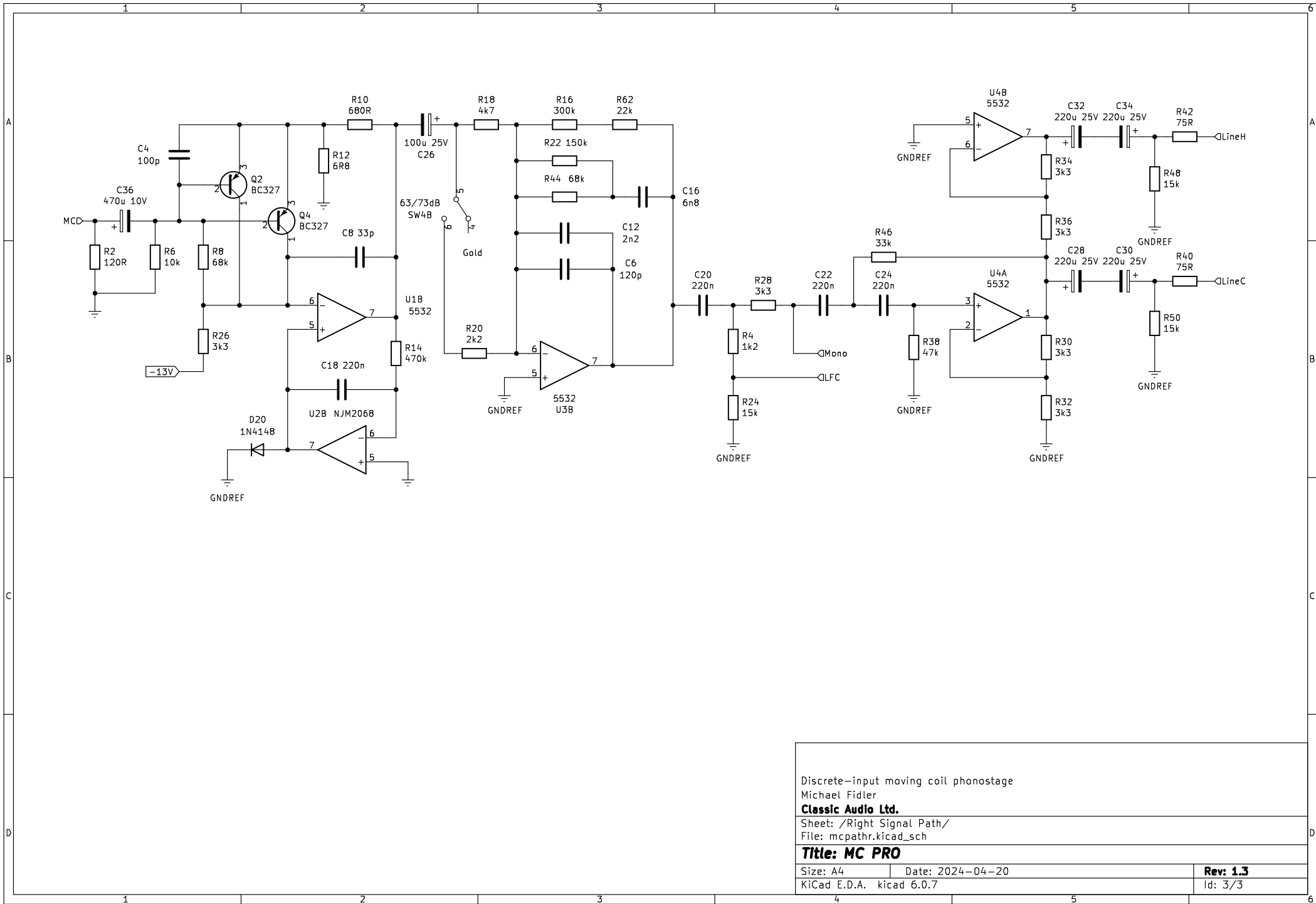
Title: MC PRO

Size: A4 Date: 2024-04-20

KiCad E.D.A. kicad 6.0.7

Rev: 1.3

Id: 2/3



Discrete-input moving coil phonostage

Michael Fidler

Classic Audio Ltd.

Sheet: /Right Signal Path/

File: mcpathr.kicad_sch

Title: MC PRO

Size: A4 Date: 2024-04-20

KiCad E.D.A. kicad 6.0.7

Rev: 1.3

Id: 3/3